

© COPYRIGHT 1961 BY AMP INCORPORATED, HARRISBURG, PA.  
 ALL INTERNATIONAL RIGHTS RESERVED. AMP INCORPORATED PRODUCTS  
 COVERED BY U. S. AND FOREIGN PATENTS AND/OR PATENTS PENDING.

REVISIONS						
P	F	ZONE	LTR	DESCRIPTION	DATE	APPROVED
✓	✓		F	REDRAWN & ADDED 2-329254-4 PER NPS 68-0412	10-26-73	T. Redw
			G	REV. PER G-5771	2/92	BT.

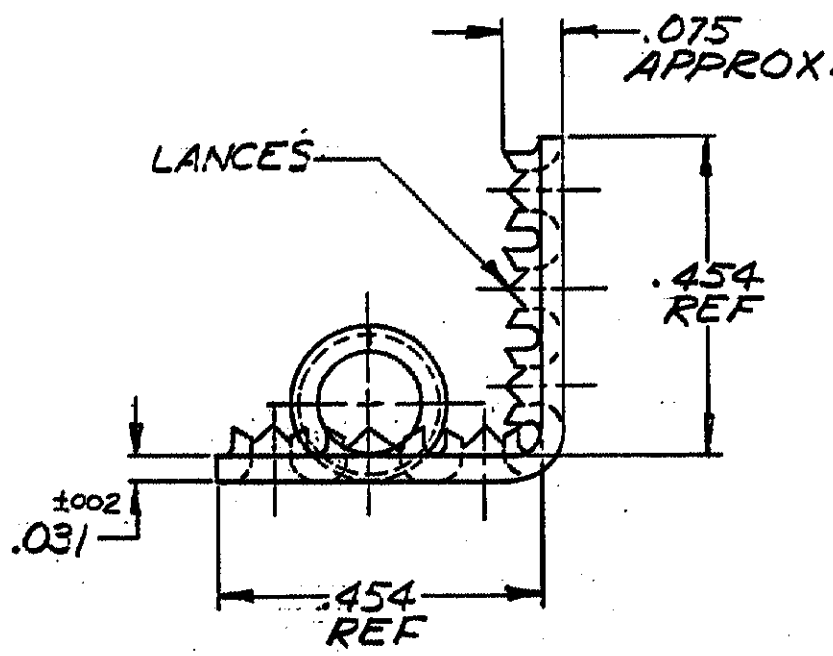
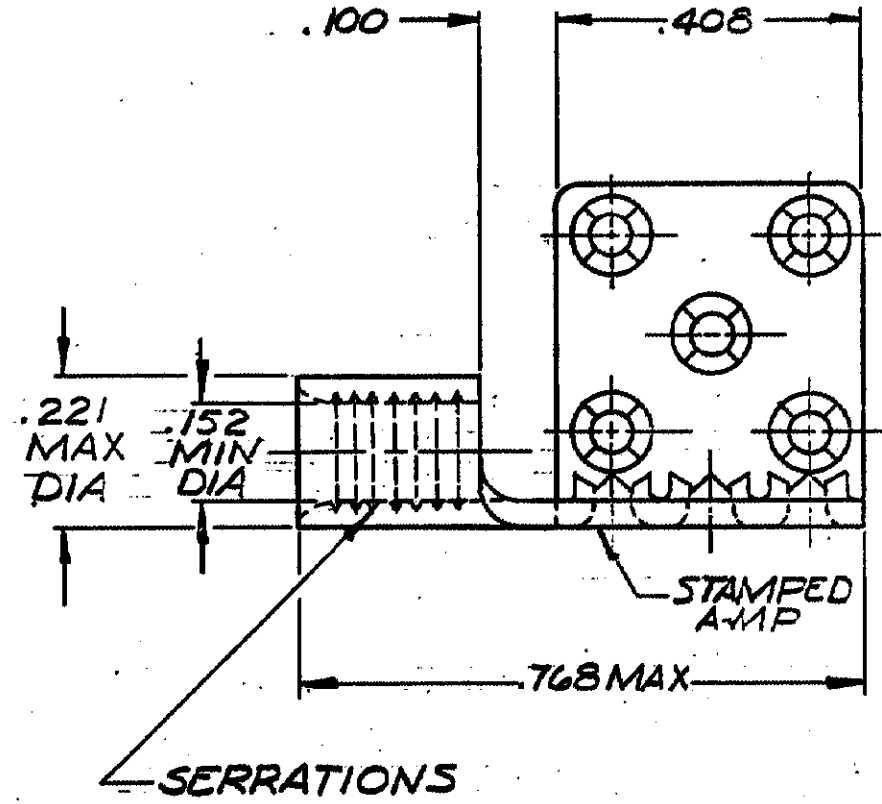


TABLE I

COPPER (QQ-C-576) ANNEALED FINISH: SEE TABLE II	2-329254-4 329254
MATERIAL & FINISH	PART NO

TABLE II

2-329254-4	TIN PL (MIL-T-10727)
329254	BRIGHT NICKEL PL (QQ-N-290).0002 MIN EXT. THK
PART NO.	FINISH

UNLESS OTHERWISE SPECIFIED DIMENSIONS ARE IN INCHES. TOLERANCES ON: DECIMALS ±.008 ANGLES ± 5°	CONTRACT NO	AMP INCORPORATED Harrisburg, Pa.	
	DR	NAME WIRE TERMINAL	
	CHK	TERMI-FOIL-SOLISTRAND-DOUBLE FACE	
	APPD	WIRE SIZE 12-10	
MATERIAL SEE TABLE I	APPD	SIZE B	CODE IDENT NO 00779
FINISH SEE TABLE I	APPD	NUMBER 329254	
	DSGN APPD	SCALE 4:1	SHEET 1 OF 1
	OTHER APPD		